


# PARTNER

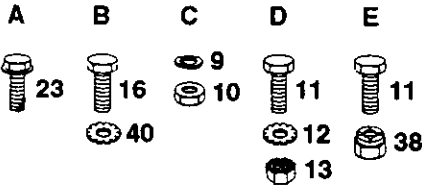
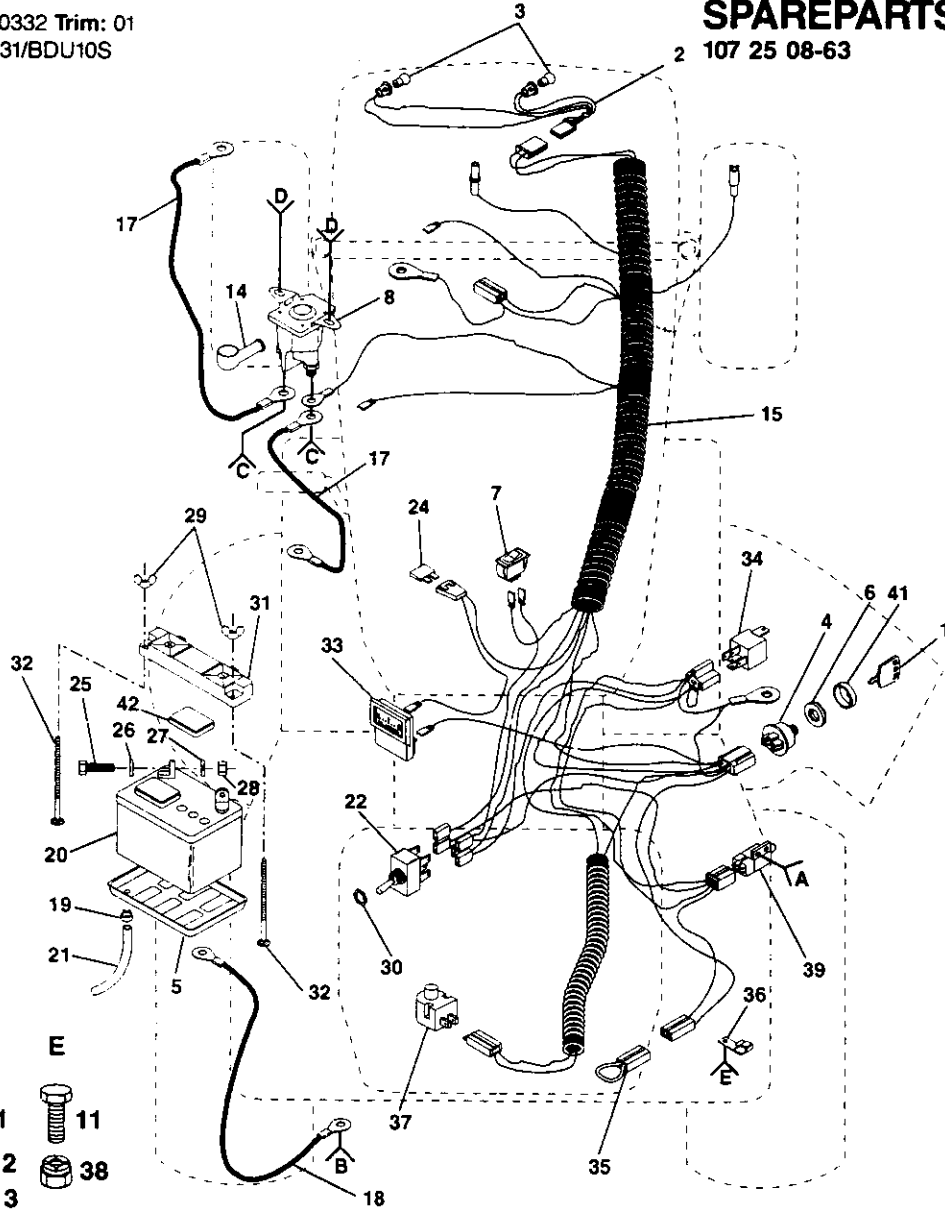
7		1992:1
		16-115

Prod. nr. 16-115: 954 00 11-81  
 Motor: Br & Str Vanguard 303777 Type: 0332 Trim: 01  
 Transaxel: Agrifab/Sundstrand T/A-R121431/BDU10S

## SPAREPARTS

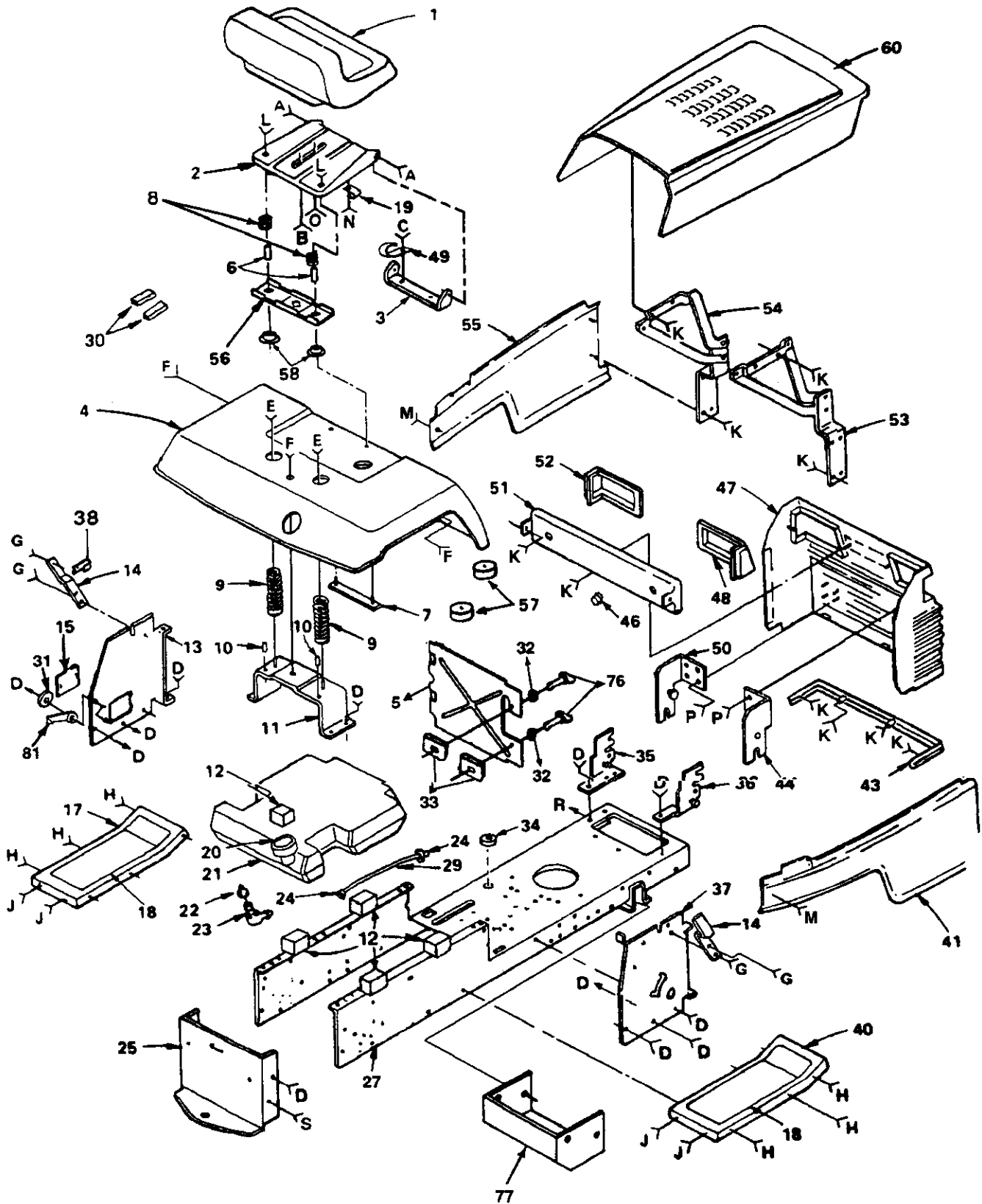
107 25 08-63

## ELECTRICAL



No.	Part no.	Description	No.	Part no.	Description
1	516 84 46-00	Key, Molded	23	817 02 10-08	Screw, Tapping, Hex Washer Head 10-24 x 1/2
2	532 12 74-41	Harness, Light Socket	24	532 10 88-24	Fuse
3	532 00 41-52	Bulb, Light	25	874 76 04-12	Bolt, Hex 1/4-20 x 3/4
4	532 10 29-72	Switch, Ignition	26	819 09 10-16	Washer 9/32 x 5/8 x 16 Gauge
5	532 00 76-03	Tray, Battery	27	810 04 04-00	Washer, Lock 1/4
6	532 12 42-11	Nut, Ignition	28	873 22 04-00	Nut, Hex 1/4-20
7	532 11 07-12	Switch, Light	29	532 12 31-98	Nut, Wing 1/4-20
8	532 10 99-46	Solenoid	30	532 00 40-22	Nut, Hex
9	810 04 04-00	Washer, Lock 1/4	31	532 10 24-76	Guard, Terminal
10	873 22 04-00	Nut, Hex 1/4-20	32	872 24 04-60	Bolt, Carriage 1/4-20 x 7-1/2
11	874 76 04-12	Bolt, Hex 1/4-20 x 3/4	33	532 12 28-22	Ammeter
12	810 04 04-00	Washer, Lock 1/4	34	532 10 97-48	Relay Assembly
13	873 22 04-00	Nut 1/4-20	35	532 10 25-01	Loop, Interlock, Tiller Attachment
14	532 13 15-63	Cover, Terminal	36	532 12 49-95	Clip, Insulated
15	532 12 56-22	Harness, Ignition	37	532 12 13-05	Switch, Plunger
16	874 76 06-12	Bolt, Fin Hex 3/8-16 x 3/4	38	873 68 04-00	Nut, Crownlock 1/4-20
17	532 12 47-70	Cable, Battery	39	532 10 95-53	Switch, Interlock
18	532 12 47-73	Cable, Battery	40	810 04 06-00	Washer, Lock 3/8
19	532 10 95-96	Battery	41	532 12 36-20	Cover, Ignition
20	506 78 88-01	Clamp, Hose	42	532 12 22-64	Cap. Battery
21	532 10 56-87	Tube, Battery Drain			
22	532 12 60-16	Switch, PTO			

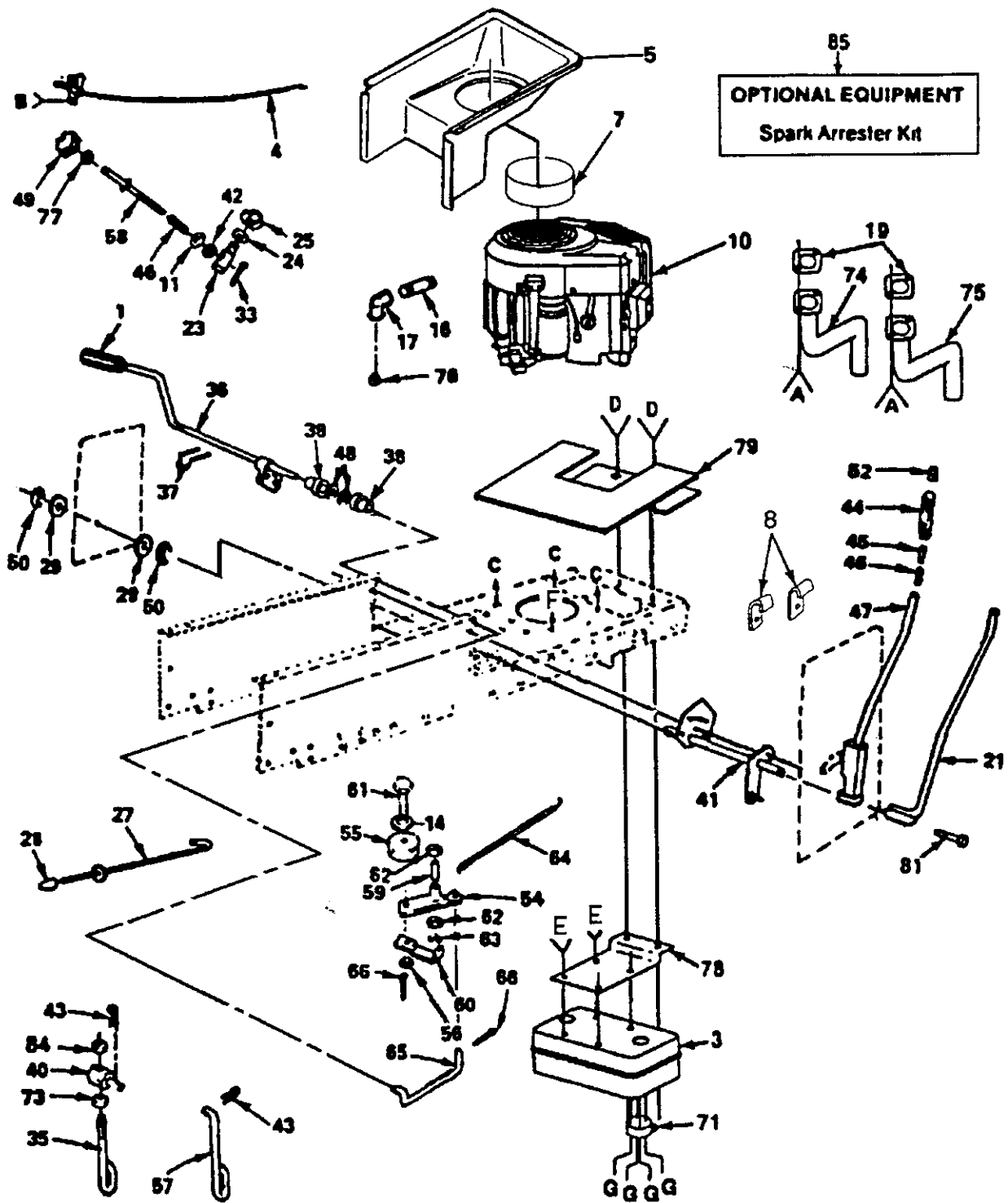
# CHASSIS AND ENCLOSURES



- |          |          |          |          |          |          |          |          |          |          |          |          |          |          |          |          |          |
|----------|----------|----------|----------|----------|----------|----------|----------|----------|----------|----------|----------|----------|----------|----------|----------|----------|
| <b>A</b> | <b>B</b> | <b>C</b> | <b>D</b> | <b>E</b> | <b>F</b> | <b>G</b> | <b>H</b> | <b>J</b> | <b>K</b> | <b>L</b> | <b>M</b> | <b>N</b> | <b>O</b> | <b>P</b> | <b>R</b> | <b>S</b> |
|          |          |          |          |          |          |          |          |          |          |          |          |          |          |          |          |          |
|          |          |          |          |          |          |          |          |          |          |          |          |          |          |          |          |          |
|          |          |          |          |          |          |          |          |          |          |          |          |          |          |          |          |          |

No.	Part no.	Description	No.	Part no.	Description
1	532 12 75-14	Seat	42	532 12 00-68	Knob, Seat, 1/2"
2	532 12 42-94	Pan, Seat	43	532 11 03-50	Strap, Assembly, Grill
3	532 12 66-56	Bracket, Pivot, Seat	44	532 10 85-12	Bracket, Pivot, RH
4	532 12 16-42	Fender	45	819 13 16-11	Washer 13/32 x 1 x 11 Gauge
5	532 10 81-05	Shield, Heat	46	532 00 91-51	Grommet, Split
6	532 12 12-49	Spacer, Split	47	532 10 55-28	Grill
7	532 10 55-11	Strap, Fender	48	532 10 60-03	Lens, RH
8	532 12 37-40	Spring, Compression	49	532 00 27-51	Clip, Fuel Line
9	532 12 41-81	Spring, Compression	50	532 10 85-13	Bracket, Pivot, LH
10	532 10 55-31	Nut, Push	51	532 11 08-97	Bezel, Headlight
11	532 10 55-09	Bracket, Fender	52	532 10 60-04	Lens, LH
12	532 10 60-82	Pad, Spacer	53	532 10 60-91	Hinge, RH
13	532 12 41-18	Panel, Dash, LH	54	532 10 60-90	Hinge, LH
14	532 10 55-25	Bracket, Support, Dash	55	532 10 84-10	Panel, Side, LH
15	532 12 17-94	Cover, Access	56	532 12 12-46	Bracket, Switch, Mount
16	532 12 05-79	Pinnut	57	532 12 42-38	Cap, Spring
17	532 12 48-99	Footrest, LH	58	532 12 12-48	Bushing, Snap
18	532 10 82-56	Pad, Footrest	59	532 10 84-02	U-Clip
19	532 00 27-51	Clip, Insulated	60	532 10 80-13	Hood
20	532 12 35-49	Cap, Fuel	61	532 10 55-29	Bolt, Shoulder 5/16-18
21	532 10 60-20	Tank, Fuel	62	873 68 05-00	Nut, Crownlock 5/16-18
22	532 12 49-52		63	532 10 69-09	Screw, Special
23	532 12 49-51	Stem, Tank, Fuel	64	874 76 06-12	Screw, Hex 3/8-16 x 3/4
24	532 12 34-87	Clamp, Hose	65	873 68 04-00	Locknut 1/4-20 UNC
25	532 12 78-66	Drawbar	66	873 68 06-00	Nut, Crownlock 3/8-16
26	873 95 10-00	Nut, Keps 10-32 UNF	67	874 76 06-12	Screw, Hex 3/8-16 x 3/4
27	532 12 72-13	Chassis Assembly	68	819 17 19-12	Washer 17/32 x 1-3/16 x Gauge
28	874 64 10-08	Screw, Slotted Pan Head 10-32 x 1/2	69	874 76 06-24	Bolt, Hex 3/8-16 x 1-1/2
29	532 00 85-42	Line, Fuel	70	872 04 04-11	Bolt, Carriage 1/4-20 x 1-1/4
30	532 12 12-51	Strip, Foam 9/32 x ID x 3/8	71	872 11 06-08	Bolt, Carriage 3/8-16 x 1
31	532 12 05-29	Washer, Nylon .44 x .75 x .032	72	874 76 06-12	Bolt, Hex 3/8-16 x 3/4
32	532 10 58-38	Retainer, 1/4 turn	73	819 13 13-16	Washer 13/32 x 13/16 x 16 Gauge
33	532 10 58-39	Receptacle, 1/4 turn	74	532 10 80-67	Pinnut
34	532 00 91-51	Grommet	75	532 10 68-10	Washer
35	532 10 90-15	Bracket, Pivot, Frame, LH	76	532 12 36-50	Stud, 1/4 turn
36	532 10 90-16	Bracket, Pivot, Frame, RH	77	532 12 37-43	Shield, Heat, Front
37	532 11 08-28	Panel, Dash, RH	78	874 76 04-12	Bolt, Hex 1/4-20 x 3/4
38	532 00 53-20	Clip, Insulated	79	819 09 14-13	Washer 9/32 x 7/8 x 13 Ga.
39	532 12 70-18	Bolt, Shoulder	80	873 22 04-00	Nut 1/4-20
40	532 12 49-14	Footrest, RH	81	532 12 39-33	Pointer, Height Indicator
41	532 10 84-03	Panel, Side, RH			

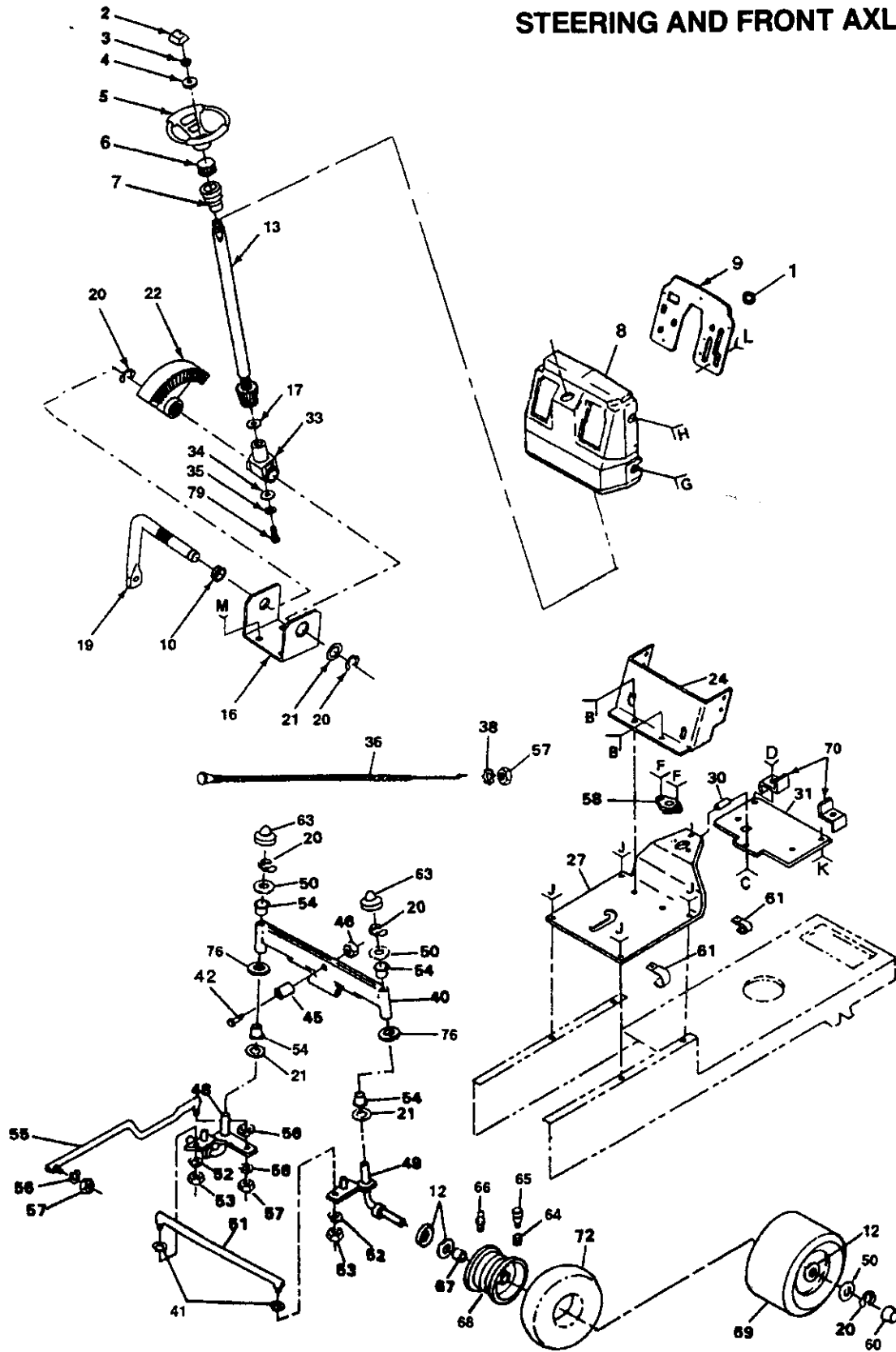
# POWER AND MECHANICAL CONTROLS GROUP



- |   |   |   |   |   |   |   |   |
|---|---|---|---|---|---|---|---|
| A | B | C | D | E | F | G | H |
|   |   |   |   |   |   |   |   |
|   |   |   |   |   |   |   |   |

No.	Part no.	Description	No.	Part no.	Description
1	532 12 48-72	Cover, Pedal	47	532 12 30-96	Lever Assembly, Hand Kit (Includes Key 21)
3	532 12 24-40	Muffler	48	819 21 16-16	Washer 21/32 x 1 x 16 Gauge
4	532 13 27-57	Control, Throttle	49	532 12 18-91	Knob, Infinite 3/8-16
5	532 10 59-53	Air Duct, Intake	50	812 00 00-22	E-Ring
6	817 03 08-08	Screw, Hex, Spicer Lock 8 x 1/2	52	532 12 59-25	Button, Plunger
7	532 12 32-23	Extension, Air Duct	54	532 12 37-89	Arm Assembly, Idler
8	532 00 27-51	Clip, Fuel Line	55	532 12 77-83	Pulley, Idler
10		Engine	56	873 68 06-00	Nut, Crownlock 3/8-16
11	819 13 10-16	Washer 13/32 x 5/8 x 16 Gauge	57	532 11 00-29	Link, Lift
14	532 13 13-16	Washer 13/32 x 13/16 x 16 Gauge	58	532 11 07-29	Rod, Adjust, Lift
16	813 28 03-36	Pip Nipple, Standard	59	532 10 57-06	Bearing
17	813 00 03-00	90° Elbow, 3/8 NPT	60	532 12 32-05	Retainer, Belt
20	810 04 06-00	Washer, Lock 3/8	61	874 76 06-24	Bolt, Hex 3/8-16 x 1-1/2
21	532 12 10-06	Rod Assembly, Lever	62	532 11 08-18	Washer, Hardened
23	532 11 08-10	Trunnion, Depth Stop	63	812 00 00-39	Ring, Klip
24	819 15 12-16	Washer 15/32 x 3/4 x 16 Gauge	64	532 10 57-09	Spring, Return, Clutch
25	812 00 00-37	Ring, Klip	65	532 10 57-10	Link, Clutch
26	874 78 04-12	Screw, Hex 1/4-20 x 3/4	66	878 02 04-16	Pin, Cotter 1/8 x 1
27	532 13 32-61	Rod, Brake, Park	70		
28	532 07 16-73	Cap, Parking Brake	71	532 10 13-26	Deflector, Muffler
29	819 29 20-16	Washer 29/32 x 1-1/4 x 16 Gauge	73	873 71 07-00	Nut, Hex 7/16-20
31	819 13 16-11	Washer 13/32 x 1 x 11 Gauge	74	532 12 24-34	Tube Assembly, Exhaust, LH
33	876 02 03-12	Pin, Cotter 3/32 x 3/4	75	532 12 24-35	Tube Assembly, Exhaust, RH
34	874 76 06-24	Screw, Hex 3/8-16 x 1-1/2 Type TT	76	873 35 06-00	Oil Drain Plug (See Engine Pages For Replacement Part Number)
35	532 11 04-48	Lift, Link, Adjustable	77	873 35 06-00	Nut, Hex, Jam 3/8
36	532 12 24-24	Shaft, Pedal, Foot	78	532 12 24-39	Bracket, Muffler Mounting
37	532 12 49-63	Roll Pin 3/16 x 1	79	532 12 29-81	Shield, Heat
38	532 12 01-83	Bearing, Nylon	81	874 76 06-24	Bolt, Hex 3/8-16 x 1-1/2
39	874 76 05-14	Screw 5/16-18 x 7/8	84	873 71 07-00	Nut, Crownlock 7/16-20
40	532 11 04-47	Trunnion, Lift	85	532 12 18-51	Spart Arrester Kit
41	532 12 45-16	Shaft Assembly, Lift	86	874 78 04-12	Screw, Hex 1/4-20 x 3/4
42	532 11 08-07	Nut, Hex, Special	87	532 12 58-91	Shield Heat
43	532 12 46-70	Retainer, Spring	88	819 09 10-16	Washer
44	532 12 56-31	Grip, Handle	89	817 03 08-08	Screw Spiderlock
45	532 12 59-25	Plunger, Lever, Lift			
46	532 12 48-74	Spring			

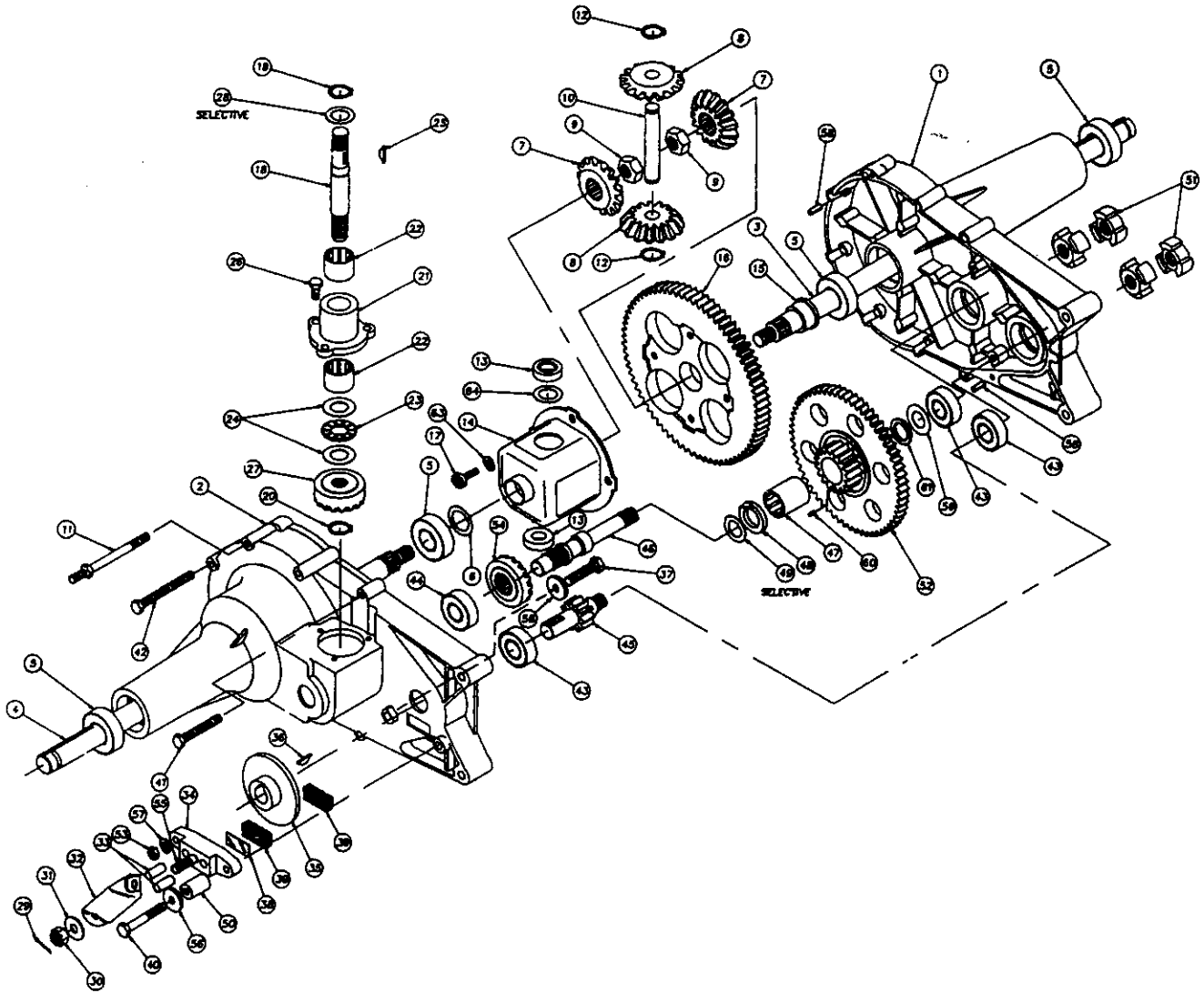
# STEERING AND FRONT AXLE



- |          |          |          |          |          |          |          |          |          |          |
|----------|----------|----------|----------|----------|----------|----------|----------|----------|----------|
| <b>B</b> | <b>C</b> | <b>D</b> | <b>F</b> | <b>G</b> | <b>H</b> | <b>J</b> | <b>K</b> | <b>L</b> | <b>M</b> |
| 25       | 29       | 23       | 59       | 73       | 39       | 11       | 23       | 77       | 37       |
| 80       | 26       | 28       |          | 75       | 75       |          | 47       | 78       |          |
|          |          |          |          | 74       | 56       |          | 47       | 71       |          |
|          |          |          |          | 56       | 14       |          | 28       |          |          |
|          |          |          |          | 62       |          |          |          |          |          |

No.	Part no.	Description	No.	Part no.	Description
1	532 00 54-79	Plug, Button	42	874 01 10-56	Bolt 5/8-11 x 3-1/2
2	532 12 68-05	Insert, Wheel, Steering	45	532 11 04-38	Bearing, Spacer, Axle Front
3	873 94 08-00	Locknut, Top 1/2-20 UNF	46	873 60 01-00	Locknut, Hex with Washer Insert 5/8-16
4	532 10 07-12	Washer	47	819 13 13-16	Washer 13/32 x 13/16 x 16 Gauge
5	532 12 14-72	Wheel, Steering	48	532 13 04-60	Spindle, LH
6	532 10 07-11	Adapter, Wheel, Steering	49	532 13 04-59	Spindle, RH
7	532 10 60-15	Sleeve, Steering	50	532 12 17-48	Washer 25/32 x 1-5/8 x 16 Gauge
8	532 12 00-28	Dash	51	532 13 04-67	Rod, Tie
9	532 12 47-68	Plate, Dash	52	810 04 05-00	Washer, Lock, Heavy Helical Spring
10	532 10 98-16	Nyliner, Snap In	53	873 81 05-00	Nut, Hex, Nylon 5/16-24 UNF
11	874 76 06-12	Screw, Hex 3/8-16 x 3/4	54	532 12 49-37	Bearing
12	532 12 17-49	Washer 25/32 x 1-1/4 x 16 Gauge	55	532 13 04-68	Link, Drag
13	532 12 87-55	Shaft, Steering	56	810 04 06-00	Washer, Lock 3/8
14	873 68 06-00	Nut 3/8-16	57	873 61 06-00	Nut, Hex 3/8-24
16	532 12 40-39	Bracket, Steering	58	532 12 47-20	Bushing, Steering
17	532 05 70-79	Washer, Thrust	59	872 21 10-10	Screw, Hex 10-16 x 1/2
19	532 12 75-01	Shaft, Pitman	60	532 10 47-57	Cap, Axle, Front
20	812 00 00-29	Ring, Klip	61	532 00 27-51	Clip, Fuel Line
21	532 12 49-31	Bearing, Thrust	62	873 35 06-00	Nut, Hex 3/8-16
22	532 12 40-34	Gear, Sector	63	532 12 12-32	Cap, Spindle
23	874 76 06-24	Bolt, Fin Hex 3/8-16 x 1-1/2	64	532 05 91-92	Cap, Valve
24	532 10 55-18	Dash, Lower	65	532 06 51-39	Stem, Valve
25	874 76 05-14	Screw 5/16-18 x 7/8	66	532 00 02-78	Fitting, Grease
26	873 68 05-00	Nut, Crownlock 5/16-18	67	532 00 90-40	Bearing
27	532 12 11-95	Saddle	68	532 10 67-32	Rim, Front
28	873 68 06-00	Nut, Crownlock 3/8-16	69	533 30 11-40	Tire, Front
29	874 76 05-40	Bolt, Hex 5/16-18 x 2-1/2	70	532 12 44-60	Bracket, Locator, Air Duct
30	532 12 12-36	Spacer	71	873 68 04-00	Nut, Keps 1/4 NC
31	532 10 60-01	Plate, Support, Battery	72	532 05 99-04	Tube, Tire, Front
33	532 12 40-35	Support, Shaft	73	872 14 06-20	Bolt, Carriage 3/8-16 x 2-3/4
34	532 12 66-84	Washer, Shim 1/4 x 5/8 x 0.62	74	532 12 12-35	Spacer
35	810 04 04-00	Washer, Lock Hvy. Helical 1/4	75	819 17 16-16	Washer 17/32 x 1 x 16 Gauge
36	532 13 27-81	Control, Choke	76	819 27 20-16	Washer 27/32 x 1-1/4 x 16 Gauge
37	874 76 06-12	Screw, Hex 3/8-16 x 3/4	77	874 31 04-16	Screw, Pan Head 1/4-20 x 1
38	810 04 06-00	Washer, Lock 3/8	78	819 09 14-13	Washer 13/32 x 7/8 x 13 Gauge
39	872 11 06-08	Bolt, Carriage 3/8-16 x 1	79	874 76 04-12	Screw 1/4-20 x 5/8
40	532 10 80-75	Axle, Front	80	873 68 05-00	Nut 5/16-18 UNC
41	819 11 14-16	Washer 11/32 x 7/8 x 16 Gauge			

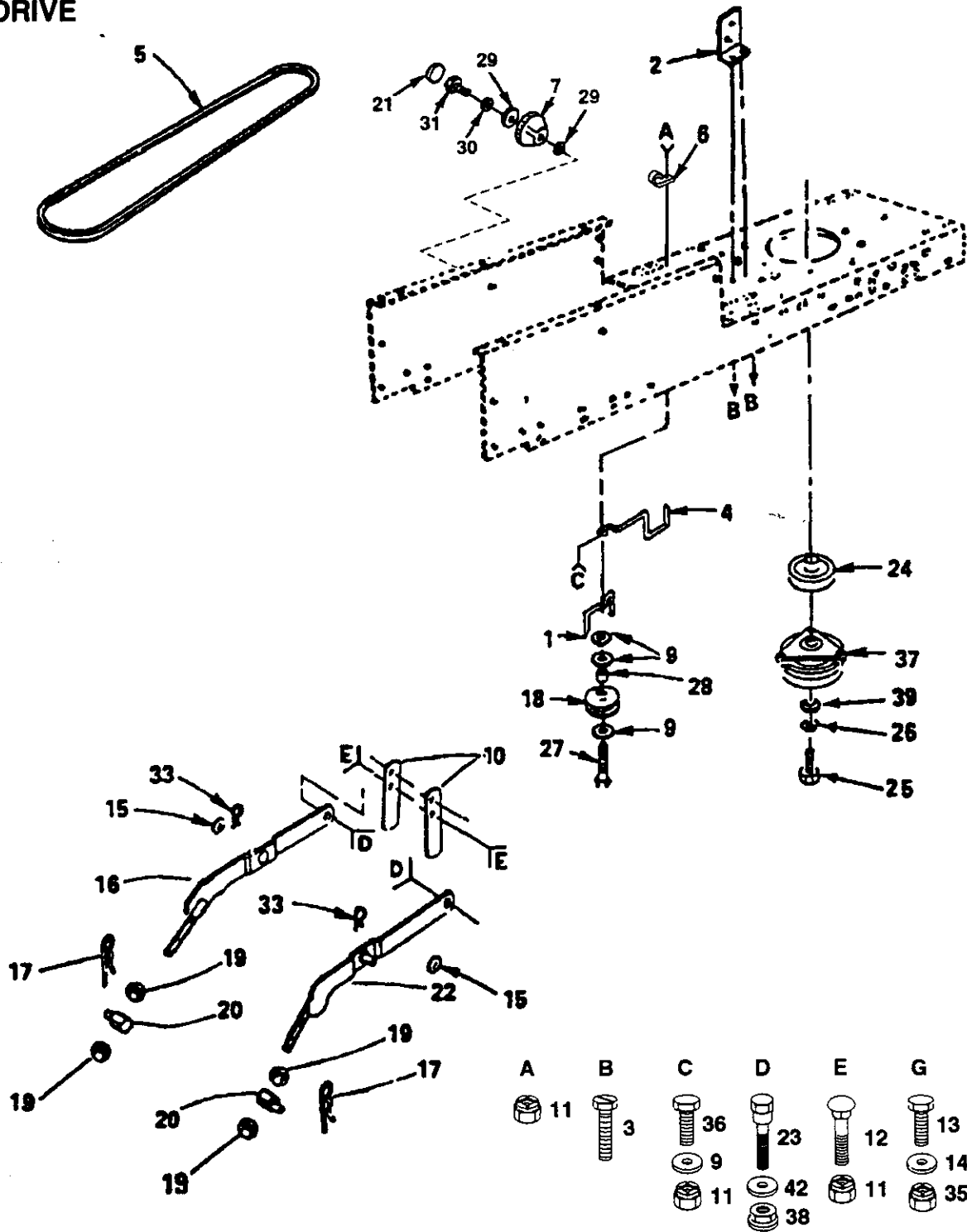
# TRANSAXLE





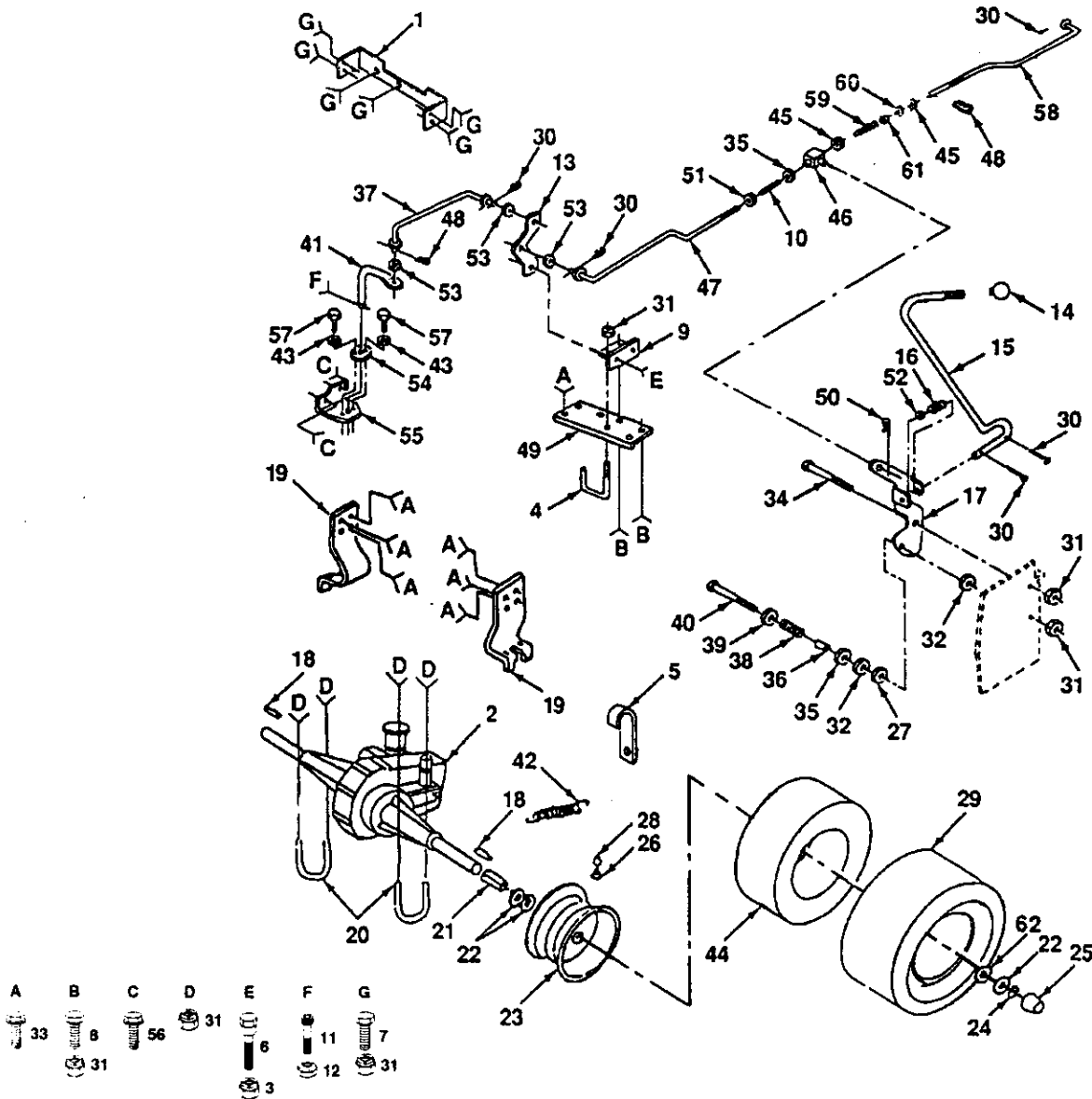
No.	Part no.	Description	No.	Part no.	Description
1	532 12 26-14	Housing, Half L.H.	35	532 12 26-64	Disc, Brake
2	532 12 26-15	Housing, Half R.H.	36	532 12 30-65	Key, Hi-Pro 3/16 x 5/8"
3	532 12 26-16	Axle L.H.	37	532 12 26-66	Screw, Hex 1/4-20 x 1.50
4	532 12 26-20	Axle R.H.	38	532 12 26-67	Plate, Puck
5	532 12 26-21	Bearing, Ball	39	532 12 26-68	Puck, Brake
6	532 12 26-22	Washer, Flat 3/4 x 1-1/8 x .030	40	532 12 30-66	Screw, Hex w/Patch 1/4-20 x 2.00
7	532 12 26-23	Gear, Miter	41	532 12 26-70	Screw, Hex Self-Tap 1/4-20 x 2.00
8	532 12 26-24	Gear, Miter	42	532 12 26-71	Screw, Hex Self-Tap 1/4-20 x 3.00
9	532 12 26-25	Nut, Hex Jam w/Patch 1/2-20	43	532 12 26-72	Bearing, Ball
10	532 12 26-26	Shaft, Cross	44	532 12 26-73	Bearing, Ball
11	532 12 26-88	Screw, Stud	45	532 12 26-74	Shaft, Pinion W11 Tooth Gear
12	532 12 26-29	Snap. Ring	46	532 12 26-75	Shaft, Drive
13	532 12 26-31	Bearing, Thrust	47	532 12 30-59	Bearing, Needle
14	532 12 26-33	Housing Assembly, Differential	48	532 12 30-60	Bronze Thrust Brg. 5/8 x 1-1/4 x 7/64
15	532 12 26-34	Bearing, Flange	49	532 12 26-54	Washer, Flat .62 x 1.0 x .040
16	532 12 26-40	Gear, Differential 72 Tooth		532 12 30-61	Washer, Flat .62 x 1.0 x .050
17	532 12 26-41	Bolt, Torx Head 1/4-28 x 5/8"	50	532 12 26-89	Spacer
18	532 12 26-42	Shaft, Input	51	532 12 18-39	Coupling
19	532 12 26-43	Snap. Ring	52	532 12 69-75	Gear, 60 and 17 Tooth
20	532 12 26-44	Retaining Ring 7/16"	53	532 12 26-82	Nut, Hex 1/4-20
21	532 12 26-45	Housing, Input Bearing	54	532 12 26-83	Gear, Drive Pinion 17 Tooth
22	532 12 26-46	Bearing, Needle	55	532 12 26-84	Bolt Square Head
23	532 12 26-47	Bearing, Thrust	56	532 12 26-85	Washer 15/16 x .265 x .125
24	532 12 26-48	Washer, Flat 5/8 x 1-1/8 x .030	57	532 12 26-86	Washer, Spring Lock 1/4"
25	532 12 26-49	Key, Hi-Pro 3/32 x 5/8	58	532 12 26-87	Pin, Roll 3/16" x 1/2"
26	532 12 26-50	Screw, Hex W/Patch 1/4-20 x 3/4	59	532 12 26-52	Washer, Flat .62 x 1.0 x .030
27	532 12 26-51	Gear, Input Pinion 17 Tooth	60	532 12 30-62	Pin, Dowel 3/32 x 1/4
28	532 12 30-61	Washer, Flat .62 x 1 x .05	61	532 12 30-63	Seal, Grease
	532 12 26-78	Washer, Flat .62 x 1.125 x .060	62	532 12 69-76	Shell, Durina-O Grease (20 oz.)
	532 12 26-54	Washer, Flat .62 x 1 x .040	63	532 12 69-77	Washer, Head Spring Lock 1/4"
29	532 12 26-56	Pin, Cotter	64	532 12 69-78	Washer, Flat .50 x 1.0 x .020
30	532 12 26-58	Nut, Castle 5/16-24		532 12 69-79	Washer, Flat .50 x 1.0 x .030
31	532 12 26-59	Washer, Flat .343 x .88 x .062	65	532 12 69-80	Assembly, Gear, Reduction
32	532 12 26-60	Arm, Brake Actuator	66	532 12 69-81	Assembly, Shaft, Input
33	532 12 26-62	Pin, Brake Actuating		532 12 14-31	Tranxle Assembly Complete
34	532 12 26-63	Brake, Yoke			

# DRIVE



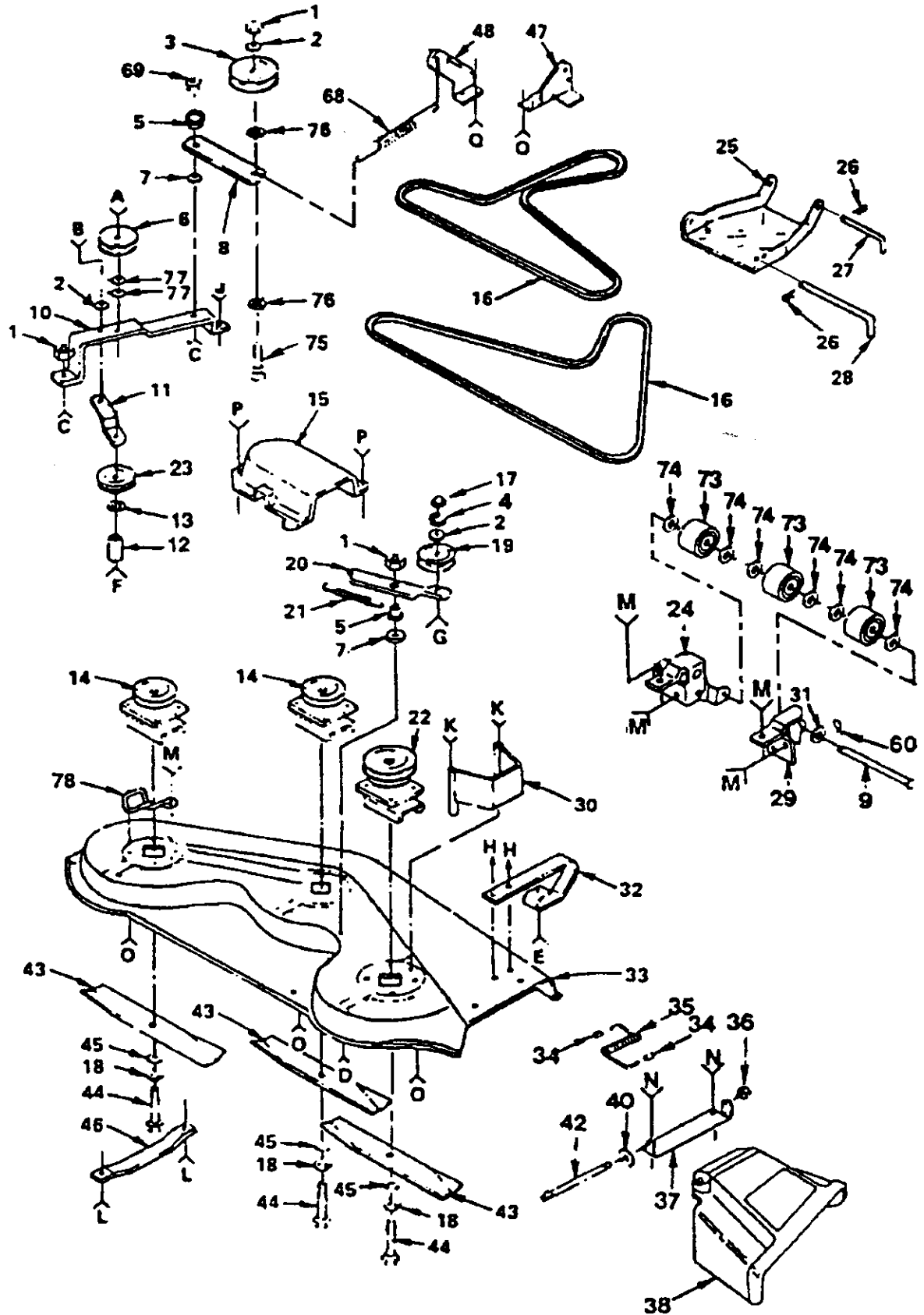
No.	Part no.	Description	No.	Part no.	Description
1	532 10 90-70	Retainer, Belt	21	532 12 39-35	Plug, Hole
2	532 10 82-36	Bracket, Switch	22	532 12 15-98	Arm Assembly, Suspension, RH
3	817 02 10-08	Screw, Tapping, Hex 10-24 x 1/2	23	532 10 58-48	Bolt, Shoulder 3/8-16
4	532 12 99-21	Keeper Belt Engine	24	532 10 98-41	Pulley, Engine
5	532 12 34-61	V-Belt, Drive	25	871 13 07-68	Bolt, Hex, Fin 7/16-20
6	532 00 27-51	Clip, Fuel Line	26	810 04 07-00	Washer, Lock 7/16
7	532 12 39-34	Scale, Indicator Height	27	874 78 06-44	Bolt, Hex 3/8-16 x 2-3/4
9	819 13 13-16	Washer 13/32 x 13/16 x 16 Gauge	28	532 00 44-70	Spacer
10	532 12 12-52	Upstop, Mower	29	819 11 24-10	Washer 11/32 x 1-1/2 x 10 Gauge
11	873 68 06-00	Nut, Crownlock 3/8-16	30	810 04 05-00	Washer, Lock Hvy. Helical Spring 5/16
12	872 14 06-12	Bolt, Carriage 3/8-16 x 1-1/2	31	874 78 05-16	Bolt, Hex 5/16 x 1/18 x 1
13	874 76 05-14	Bolt, Hex 5/16-18 x 7/8	33	532 00 49-21	Spring, Retainer
14	819 11 14-16	Washer 11/32 x 7/8 x 16 Gauge	36	874 76 06-24	Bolt, Hex 3/8-16 x 1-1/2
15	819 17 16-16	Washer 17/32 x 1 x 16 Gauge	37	532 10 82-18	Clutch, Electric
16	532 12 15-99	Arm Assembly, Suspension, LH	38	873 68 06-00	Nut, Centerlock 3/8-16
17	532 00 91-35	Retainer, Spring	39	532 12 61-97	Washer 1-1/2 x 15/32 x 1/4
18	532 12 36-74	Idler, Flat	42	532 11 07-39	Washer, Spring
19	873 68 08-00	Nut 1/2-13			
20	532 10 63-08	Trunnion, Lift, Lower			

# TRANSAXLE AND REAR WHEEL



No.	Part no.	Description	No.	Part no.	Description
1	532 12 11-87	Bracket, Mounting, Hydro	32	532 10 82-00	Spacer, Nylon 1-1/2 x .65ID x .185 THK
2	532 12 14-31	Transaxle, Agri-Fab, Hydro, Model Number 121431X	33	874 76 06-12	Screw, Hex 3/8-16 x 3/4
3	873 68 05-00	Nut, Crownlock 5/16-18	34	532 10 85-18	Bolt, Shoulder 3/8-16 x 1-3/8
4	532 12 11-90	Keeper, Centerspan	35	532 12 17-49	Washer 25/32 x 1-1/4 x 16 Gauge
5	532 00 27-51	Clip, Fuel Line	36	532 10 82-01	Spacer 13/32 x 5/8 x 2-1/2
6	532 10 05-36	Bolt, Shoulder	37	532 12 12-02	Link, Control
7	874 76 06-12	Bolt, Hex Fin 3/8-16 UNC x 3/4	38	532 10 88-44	Spring, Compression
8	874 76 06-16	Bolt, Hex Fin 3/8-16 UNC x 1	39	819 13 20-12	Washer 13/32 x 1-1/4 x 12 Gauge
9	532 12 12-06	Bracket, Bellcrank, Pivot	40	874 76 06-48	Bolt, Hex 3/8-16 x 3
10	532 10 26-70	Spring, Compression	41	532 12 12-09	Arm Assembly, Pump Control
11	874 56 10-14	Screw, Hex Socket Head 10-24	42	532 11 04-22	Spring, Brake Return
12	532 06 91-80	Locknut 10-24	43	819 09 08-16	Washer 9/32 x 1/2 x 16 Gauge
13	532 12 12-04	Bellcrank	44	531 02 01-87	Tube, Tire
14	532 10 69-33	Knob, Control	45	873 68 06-00	Locknut 3/8-16
15	532 12 12-01	Rod, Control	46	532 10 82-12	Trunnion
16	532 12 16-31	Spring, Torsion	47	532 12 12-08	Rod, Control, Adjustable
17	532 10 81-96	Bracket, Control Rod	48	532 12 47-88	Clip, Hairpin
18	532 12 35-83	Key, Square 2.5 x .1845/.1865	49	532 12 31-86	Bracket, Chassis Reinforcement, Hydro
19	532 12 11-91	Bracket, Transaxle	50	532 00 49-21	Spring, Retainer
20	532 12 11-89	U-Bolt 3/8-16 x 2-7/8	51	819 13 12-10	Washer 13/32 x 3/4 x 16 Gauge
21	532 12 11-99	Spacer, Split	52	819 15 12-16	Washer 15/32 x 3/4 x 16 Gauge
22	532 12 17-48	Washer 25/32 x 1-5/8 x 16 Gauge	53	532 11 07-39	Washer, Spring
23	532 10 61-08	Rim, Rear	54	532 12 12-17	Guide, Control
24	812 00 00-01	E-Ring	55	532 12 12-16	Bracket, Control Guide
25	532 10 47-57	Cap, Axle	56	817 02 10-08	Screw 10-24 x 1/2
26	532 06 51-39	Stem, Valve	57	817 02 10-08	Screw 10-24
27	532 10 89-72	Washer, Phenolic	58	532 13 26-54	Rod, Brake
28	532 05 91-92	Cap, Valve	59	532 10 68-88	Spring, Brake Rod
29	533 05 82-76	Tire, Rear	60	819 13 13-16	Washer 13/32 x 13/16 x 16 Gauge
30	876 02 04-16	Pin, Cotter 1/8 x 1	61	873 35 06-00	Nut, Hex, Jam 3/8-16 UNC
31	873 68 06-00	Nut, Crownlock 3/8-16	62	532 12 17-49	Washer 25/32 x 1-1/4 x 16 Gauge

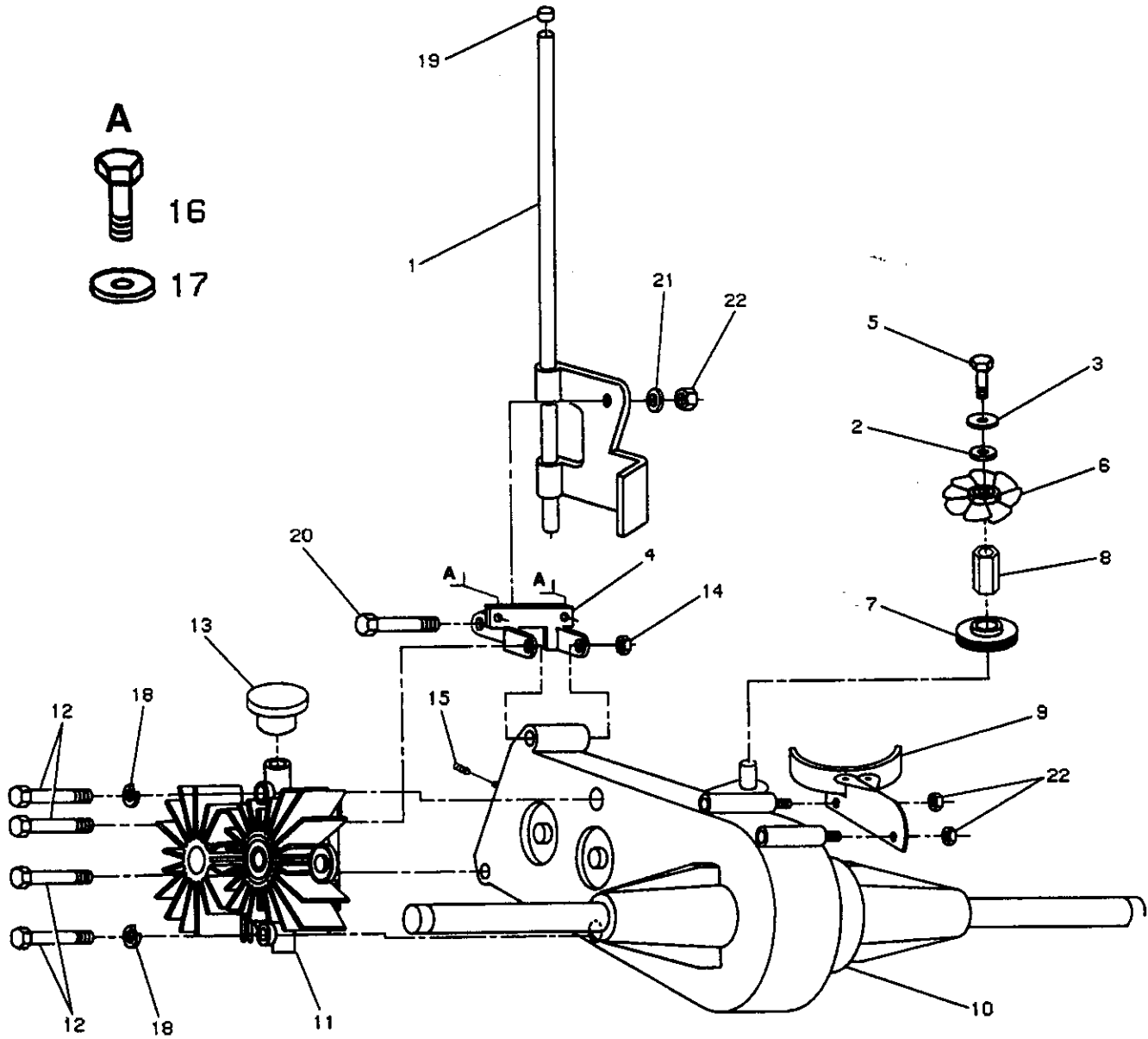
# MOWER DECK



- |          |          |          |          |          |          |          |          |          |          |          |          |          |          |          |          |
|----------|----------|----------|----------|----------|----------|----------|----------|----------|----------|----------|----------|----------|----------|----------|----------|
| <b>A</b> | <b>B</b> | <b>C</b> | <b>D</b> | <b>E</b> | <b>F</b> | <b>G</b> | <b>H</b> | <b>J</b> | <b>K</b> | <b>L</b> | <b>M</b> | <b>N</b> | <b>O</b> | <b>P</b> | <b>Q</b> |
|          |          |          |          |          |          |          |          |          |          |          |          |          |          |          |          |
|          |          |          |          |          |          |          |          |          |          |          |          |          |          |          |          |
|          |          |          |          |          |          |          |          |          |          |          |          |          |          |          |          |

No.	Part no.	Description	No.	Part no.	Description
1	873 68 06-00	Nut, Crownlock 3/8-16	37	532 10 97-43	Bracket, Deflector
2	819 13 16-11	Washer 13/32 x 1 x 11 Gauge	38	532 10 97-85	Guard, Discharge
3	532 12 13-16	Pulley, Idler	40	819 11 14-16	Washer 11/32 x 7/8 x 16 Gauge
4	810 04 06-00	Washer, Lock 3/8	42	532 10 67-35	Rod, Hinge
5	532 10 69-02	Spacer	43	532 12 22-65	Blade, Mower
6	532 12 48-58	Pulley, Idler	44	874 61 06-24	Bolt, Hex 3/8-24 x 1-1/2 Grade 5
7	532 10 65-13	Washer, Wear	45	819 13 20-12	Washer 13/32 x 1-1/4 x 12 Gauge
8	532 12 14-25	Arm, Idler	46	532 12 50-74	Runner, LH
9	532 10 97-76	Pin, Pivot	47	532 12 38-07	Bracket, Suspension, Rear, RH
10	532 10 65-23	Bar, Support, Idler	48	532 12 38-08	Bracket, Suspension, Rear, LH
11	532 10 65-22	Brace, Idler, Deck	51	872 14 06-14	Bolt, Carriage 3/8-16 x 1-3/4
12	532 12 12-36	Spacer	52	872 14 06-12	Bolt, Carriage 3/8-16 x 1-1/2
13	819 13 13-16	Washer 13/32 x 13/16 x 16 Gauge	53	872 14 06-12	Bolt, Carriage 3/8-16 x 1-1/2
14	532 12 16-58	Mandrel, Secondary	54	874 76 06-24	Bolt, Hex 3/8-16 x 1-1/2
15	532 10 62-14	Guard	55	872 14 05-06	Bolt, Carriage 5/16-18 x 3/4
16	532 10 60-85	V-Belt	56	819 11 14-16	Washer 11/32 x 7/8 x 16 Gauge
17	873 68 06-00	Nut, 3/8-16	57	873 68 05-00	Nut, Crownlock 5/16-18
18	810 04 06-00	Washer, Lock 3/8	58	874 76 06-48	Bolt, Hex 3/8-16 x 3
19	532 10 29-32	Idler, Flat	59	874 76 06-36	Screw, 3/8-16 x 2-1/4
20	532 10 65-26	Arm, Idler, Deck	60	876 02 04-16	Pin, Cotter
21	532 12 48-85	Spring, Extension	61	819 11 14-16	Washer 11/32 x 7/8 x 16 Gauge
22	532 10 60-41	Mandrel, Primary	62	874 76 05-80	Bolt, Hex 5/16-18 x 5
23	532 10 24-03	Pulley, Idler	66	874 76 06-12	Screw 3/8-16 x 3/4
24	532 10 95-99	Bracket, Lift, LH	67	872 14 06-12	Bolt, Carriage 3/8-16 x 3/4
25	532 10 56-62	Link, Parallel	68	532 10 27-27	Spring, Extension
26	532 00 48-21	Retainer, Spring	69	873 93 06-00	Nut, Centerlock 3/8-16
27	532 10 57-44	Pin, Front Hinge	70	872 11 05-06	Bolt, Carriage 5/16-18 x 3/4
28	532 10 98-35	Pin, Rear Hinge	72	532 12 49-49	Locknut 5/16-18
29	532 10 96-00	Bracket, Lift, RH	73	532 10 97-29	Roller, Nose
30	532 10 81-19	Guard, Belt, RH	74	819 15 16-16	Washer 15/32 x 1 x 16 Gauge
31	819 15 16-16	Washer 15/32 x 1 x 16 Gauge	75	872 14 06-22	Bolt, Carriage 3/8-16 x 2-3/4
32	532 12 49-50	Runner, RH	76	819 13 12-10	Washer 13/32 x 3/4 x 10 Gauge
33	532 12 14 23	Housing, Mower	77	819 13 16-11	Washer 13/32 x 1 x 11 Gauge
34	532 10 53-04	Cap, Sleeve	78	532 12 13-52	Keeper, Mandrel, LH
35	532 10 67-34	Spring	79	872 11 05-06	Bolt, Carriage 5/16-18 x 3/4
36	532 11 04-52	Nut, Push	80	874 76 06-24	Bolt, Fin Hex 3/8-16 x 1-1/2

# DIFFERENTIAL AND PUMP ASSEMBLY



No.	Part no.	Description	No.	Part no.	Description
1	532 12 36-34	Free Wheel Copntrol Assembly	12	874 76 05-80	Bolt, Hex, Fin 5/16-18 UNC x 5
2	819 09 14-13	Washer 9/32 x 7/8 x 13 Gauge	13	532 12 13-23	Reservoir, Pump
3	810 04 04-00	Washer, Lock 1/4	14	873 68 05-00	Nut, Crownlock 5/16-18
4	532 12 11-88	Bracket, Pnt. Mounting, Differential	15	532 12 12-50	Spring, Compression
5	874 78 04-12	Bolt, Hex 1/4-20 UNC x 3/4	16	874 76 06-12	Bolt, Hex 3/8-16 x 3/4
6	532 12 11-86	Fan, Hydro, 8"	17	873 68 06-00	Nut, Crownlock 3/8-16 UNC
7	532 12 11-80	Pulley, Transaxle	18	810 04 05-00	Washer, Lock 5/16
8	532 12 12-11	Standoff, Fan, Hydro	19	532 07 16-73	Cap
9	532 12 11-82	Guard Assembly, Belt	20	532 12 48-15	Bolt, Shoulder
10	532 12 14-31	Differential Assembly	21	532 12 05-29	Washer, Nylon
11	532 12 14-30	Pump Assembly	22	873 68 04-00	Nut, Crownlock 1/4-20 UNC